

AutoCreaser Pro 50

High speed creaser with SmartScreen touch screen technology.

Key product features:

- 7" SmartScreen touch screen
- 700mm x 500mm sheet size
- Intuitive and easy to use
- Fully automatic
- Up to 16 creases per sheet
- Takes stock up to 0.4mm (approx 400 gsm)*
- Rule and matrix guaranteed for life
- 8500 sheets per hour
- Unlimited alpha numeric memory
- Adjustable crease depth & square
- Perforating as standard
- Crease without cracking

The AutoCreaser, made in the UK by Morgana, provides the complete solution to the problem of cracking that occurs when folding digitally printed output. It is equally effective in dealing with conventionally printed card, laminates or cross-grained stock.

The new intuitive 7" SmartScreen controls all the main functions of the AutoCreaser Pro 50. Using the screen is simplicity itself. Key in the sheet length (popular sizes are pre-set), touch the fold type for the finished product (letter, gate etc) and press the green button. The AutoCreaser Pro 50 will automatically calculate where the creases need to be and set them accordingly.

Any minor changes to the crease position can be made by touching an arrow in the relevant direction.

The productivity of the AutoCreaser Pro 50 has been improved with a massive 30% increase in speed with no loss of accuracy. Now running at 8,500 A4 sheets per hour, and an astonishing 11,000 A5 sph this is our most productive creaser to date. The increased sheet size of 700mm x 500mm can be extended with an optional tray making sheet lengths of 900mm possible.



The AutoCreaser Pro 50 has the new Morgana PosiFeed feeding system. The drum stops as the vacuum pulls the sheet down before the drum starts to feed. This significant change will enable the feeder to be piled higher and feed the most difficult of stocks.

All settings and adjustments are made using the new SmartScreen and as only symbols are used, operation couldn't be simpler. An alphanumeric memory allows an unlimited number of jobs to be stored and named as you choose. This makes job recall much easier as you can use your own job name and numbers for storage.

An alpha-numeric memory allows an unlimited number of jobs to be stored and named as you choose. This makes job recall much easier as you can use your own job name and numbers for storage.

Any changes to the suction drum, feed method, crease position and engineering settings are all made through the SmartScreen which we have developed and designed to make the AutoCreaser Pro 50 the easiest machine to operate whilst offering levels of sophistication never before seen at this price point.

Perforation comes as standard on the AutoCreaser Pro range with a wide variety of wheels available to suit all applications.

AutoCreaser Pro 50

High speed creaser with SmartScreen touch screen technology.

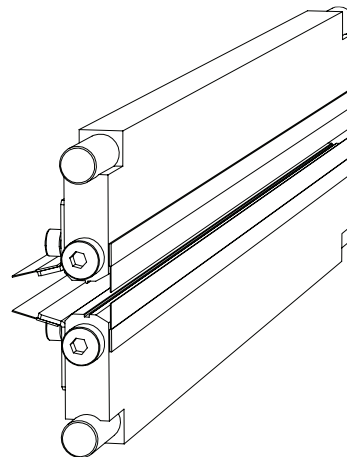


Technical specifications

Maximum sheet size	700mm x 500mm
Minimum sheet size	210mm x 140mm
Maximum paper thickness	0.4mm (approx 400 gsm)* including laminated material
Minimum paper thickness	0.11mm (approx 80gsm uncoated)*
Maximum number of creases per sheet	16
Creasing blades	2
Maximum number programmed applications	50
Minimum repeat crease distance	1mm (depending on paper weight)
Minimum crease distance from lead edge	2.5mm
Minimum crease distance from tail edge	2.5mm
Speed per hour	8500 sph (A4)
Dimensions	L2129 x W660 x H1235mm (approx)
Weight	210kgs (approx)
Power requirement	100-240v 50/60hz

Creasing rule and matrix

The AutoCreaser Pro 50 uses an identical mechanism to all other creasers in the range including the DigiFold Pro and DocuMaster Pro and is guaranteed for life. With thousands of these mechanisms installed throughout the world our creasing technology is unparalleled in both performance and longevity.



*Disclaimer As part of our continued product improvement plan, specifications and information published here are subject to change without notice. All specifications are dependent on application, type of stock, temperature, RH and print engine used. Specifications quoted were measured on uncoated and unprinted stock. E & OE.

Head Office and Showroom: Davy Avenue, Knowlhill, Milton Keynes, MK5 8HJ, United Kingdom

Tel: (0)1908 608888 Fax: (0)1908 692399 www.plockmatic.com sales@morgana.co.uk

// Plockmatic Group / www.plockmaticgroup.com / ☎ +44 (0) 800 1381 882